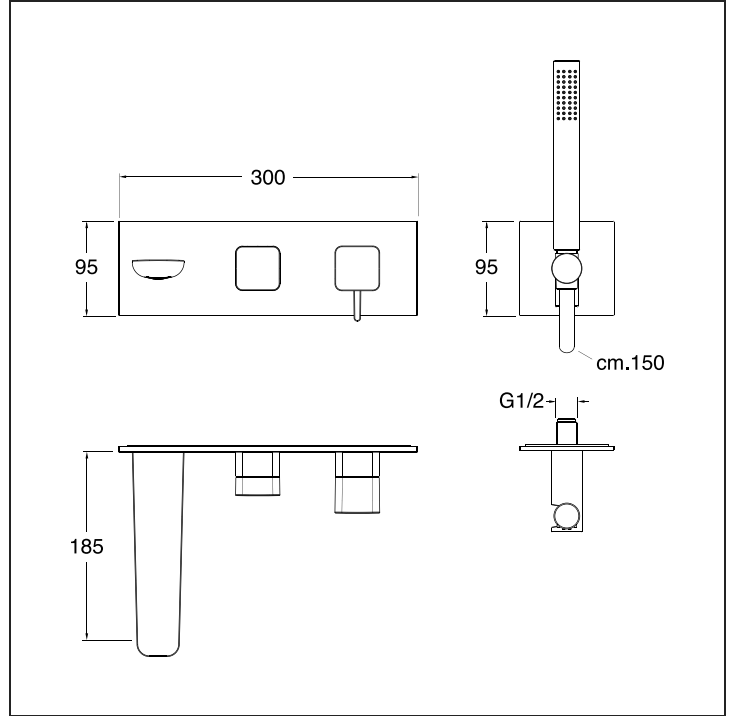


KG 103

Bath/shower mixer external parts for CS 147 with 3 outlet diverter, brass anti-lime hand shower, LONG LIFE flexible hose and metal plate

CRISTINA

Pair with concealed body CS 100, CS 101.



FINISHINGS

51 Chrome

TECHNOLOGIES



SOFT WATER

Soft touch flow enhances the pleasure of water.



SMART CLEAN

Cleaning the surface from limescale with the gesture of a finger.

CARATTERISTICHE

- Bathing/showering experience
- Aerator
- Anti-scale nozzle

INSTALLAZIONE

- Wall mounted

COMANDO

- Single lever mixers