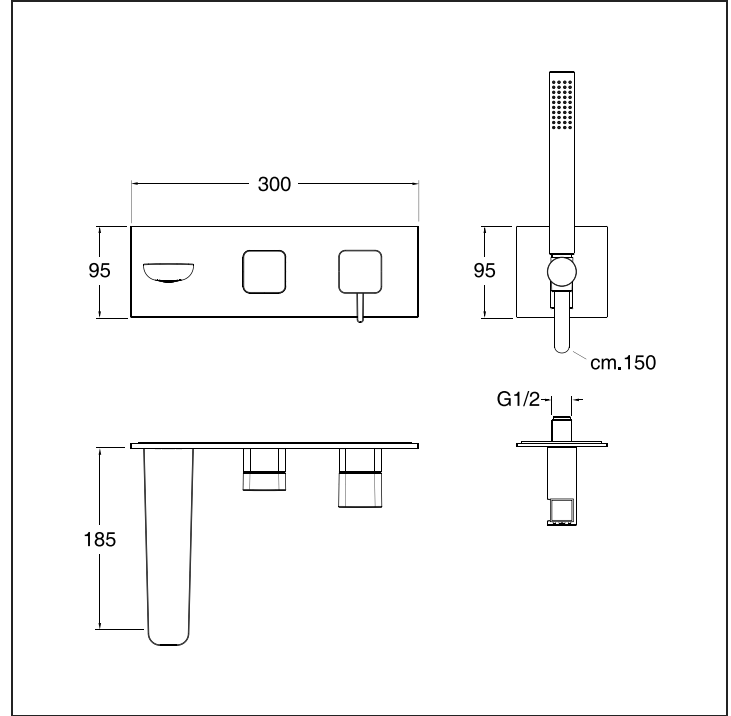


KG 102



Bath/shower mixer external parts for CS 100 (right side) - CS 101 (left side) with 2 outlet diverter, LONG LIFE flexible hose, brass anti-lime hand shower and metal plate

Pair with concealed body CS 100, CS 101.



FINISHINGS

51 Chrome

TECHNOLOGIES

SOFT WATER
Soft touch flow enhances the pleasure of water.

SMART CLEAN
Cleaning the surface from limescale with the gesture of a finger.

CARATTERISTICHE

- Bathing/showering experience
- Aerator
- Anti-scale nozzle

INSTALLAZIONE

- Wall mounted

COMANDO

- Single lever mixers