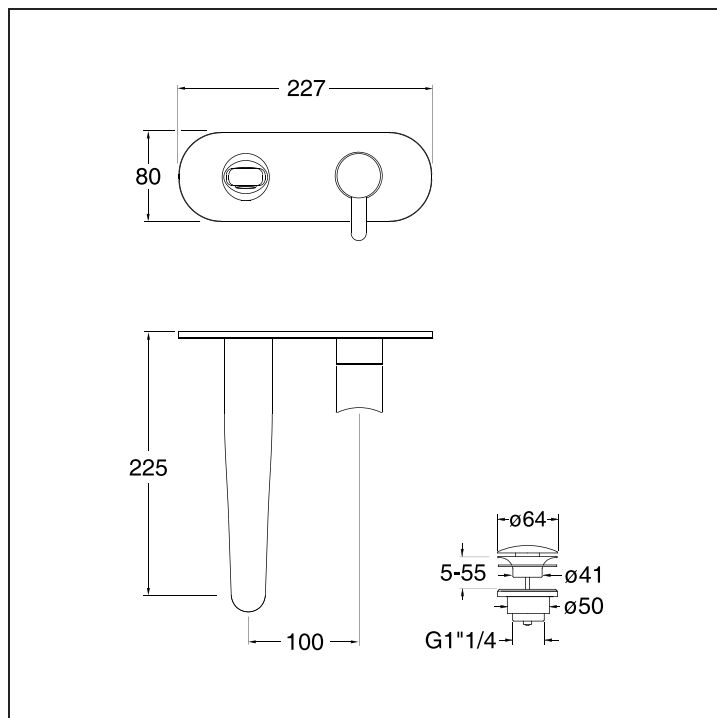


BE 258 LARGE

CRISTINA

Wall mounted basin mixer LARGE external parts for CS 200 (right side) - CS 201 (left side) with 1"1/4 Up&Down waste and metal plate

Pair with concealed body CS 200, CS 201.



FINISHINGS

51 Chrome

TECHNOLOGIES



SOFT WATER

Soft touch flow enhances the pleasure of water.



WATER SAVING

Reduces the flow rate allowing up to 50% saving of water by ensuring a full jet.

CARATTERISTICHE

- Aerator
- Water saving aerator

INSTALLAZIONE

- Wall mounted

COMANDO

- Single lever mixers